

EXP-108

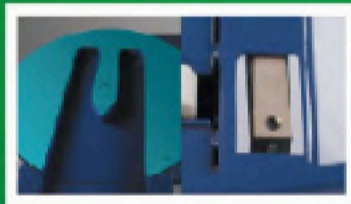
EXP-SERIES POWER PRE-STRETCH



WEIGHT



OPEN TYPE CARRIAGE
FOR EASY FILM THREADING



LOAD CELL

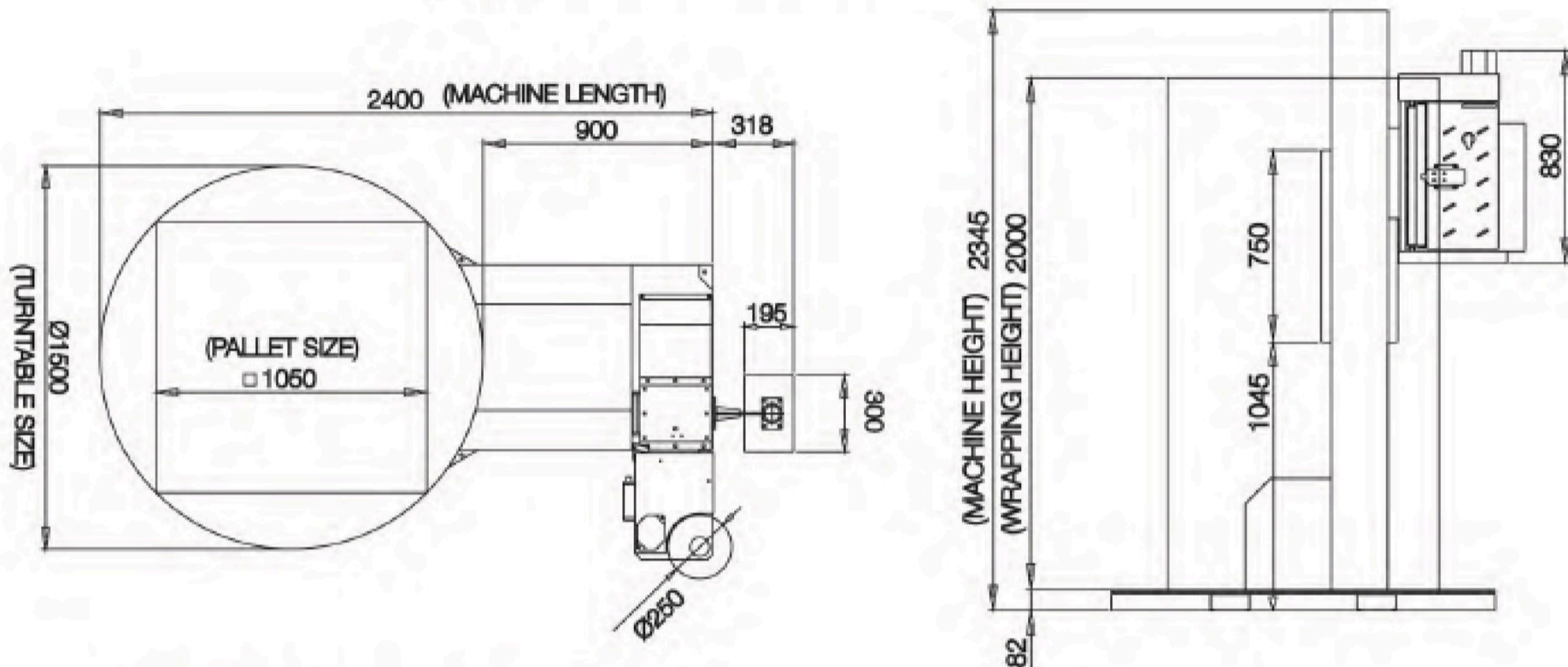


ฟิล์มยืดพันพาเลท
M Stretch

- 300% POWER PRE-STRETCH
- THREE AUTOMATIC PROGRAM RUN
- PIN PUNCH AUTOMATIC FILM CUTTING
- CHOICE OF HIGH AND LOW PRE-STRETCH RATIO
- TROUBLE-SHOOTING SHOWN ON THE SCREEN
- OPEN TYPE CARRIAGE FOR EASY THREADING
- 180° ROTATING CONTROL BOX
- 12RPM HIGH SPEED TURNTABLE

Standard Options

- TOP PRESSURE PLATE DRIVEN BY MOTOR
- 1.65 & 1.8 METERS DIA. TURNTABLE
- 2.5 METERS WRAPPING HEIGHT
- RAMP



Standard Features

1. 300% POWER PRE-STRETCH : 1 METER FILM PRE-STRETCHED TO BE 4 METERS
2. HOME POSITION : THE TURNTABLE ALWAYS STOPS AT THE SAME POSITION
3. BOTH ONE TOUCH AUTOMATIC PROGRAMS AND MANUAL RUN ARE AVAILABLE
4. HEIGHT SEEKING BY PHOTO SENSOR
5. ADVANCED SOFT WRAPPING DEVICE ON THE PACKAGE ANGLE
6. WRAPPING TENSION/TURNTABLE SPEED/CARRIAGE SPEED ARE ADJUSTABLE
7. SLOW START AND STOP
8. ONE WAY IDLE ROLLER TO STAY THE FILM OUTSIDE THE CARRIAGE WHEN IS BROKEN
9. REINFORCING WRAPPING THE MIDDLE OF PACKAGE BY MANUAL
10. FILM EASY THREADING DEVICE

Specification

MAX. WRAPPING HEIGHT	2000 MM
MAX. TURNTABLE SPEED	12 RPM
MAX. LOADING WEIGHT	1650 KGS
TURNTABLE DIA:	1.5 M
FILM ROLL WIDTH	500 MM (20")
FILM ROLL OUTER DIA	250 MM (10")
FILM ROLL INNER DIA	76 MM (3")
POWER SUPPLY	100, 110, 220, 230, 240 & 1 PHRASE
TURNTABLE MOTOR	1/2 HP, 220 V AC, 3 PHRASE
CARRIAGE MOTOR	1/2 HP, 220 V AC, 3 PHRASE
POWER PRE-STRETCH MOTOR	1/2 HP, 220 V AC, 3 PHRASE

