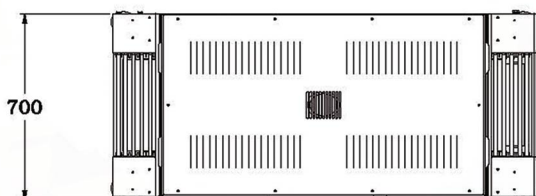
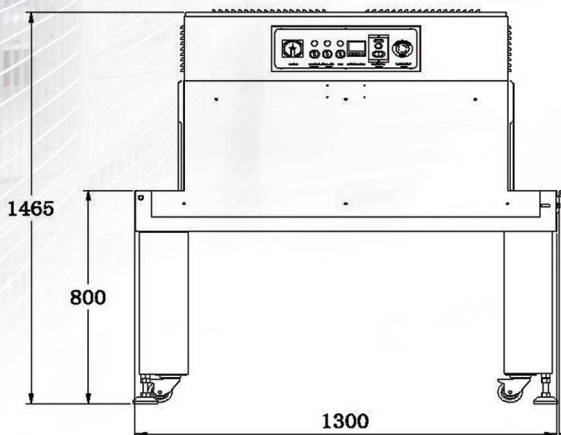


ตู้อบฟิล์มรีดร้อน

SM-4525

Shrink Tunnel



Model	SM-4525
Machine dimension L x W x H (mm)	1300 x 715 x 1455
Max packing size L x W x H (mm)	700 x 400 x 200
Size of Tunnel L x W x H (mm)	1000 x 450 x 250
Packing speed (pcs/h)	2000-3000
Net weight (kg)	260
Power (Kw)	8
Power supply	3 ϕ 220V / 380V / 50/60Hz